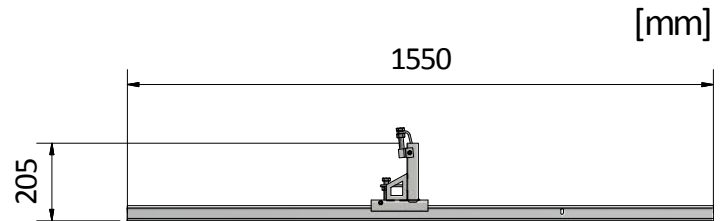
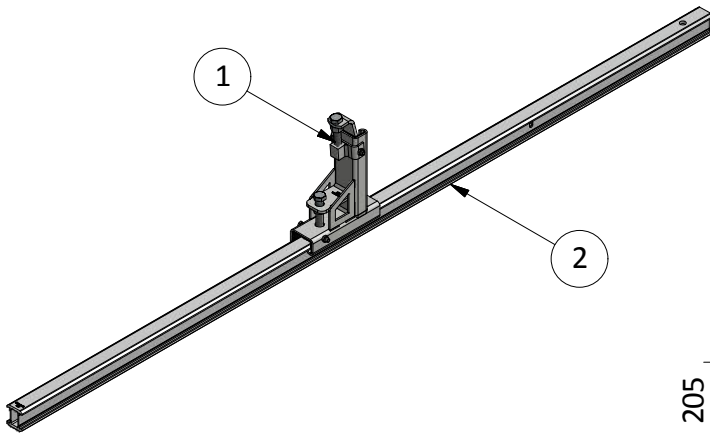


# I-GUIDE

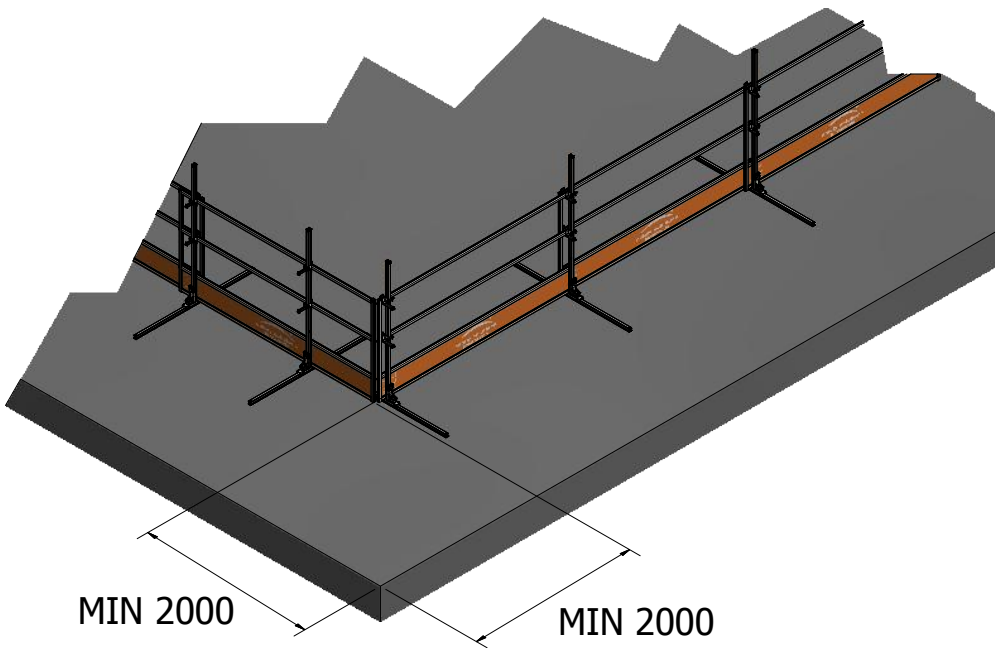
## DEMARCATION SUPPORT



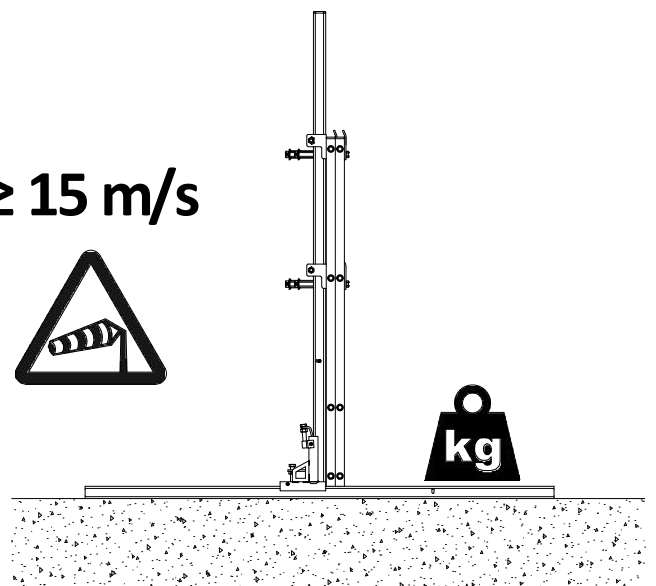
Art nr 9-720-12-009  
 3,7 kg  
 AFS 1999-03 92a § (3a)  
**Max 6°**  
 Max c/c 2,4 m



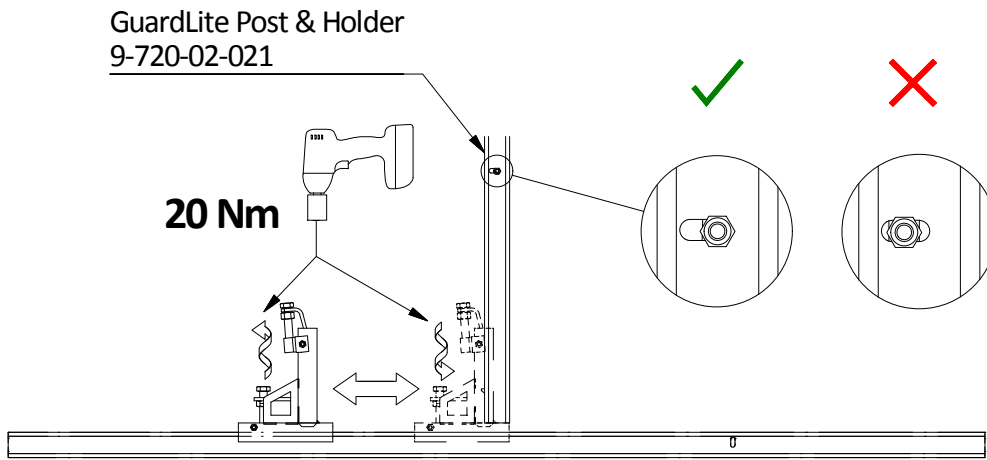
ITEM	QTY	ART. NO
1	1	9-720-10-030
2	1	9-720-02-001



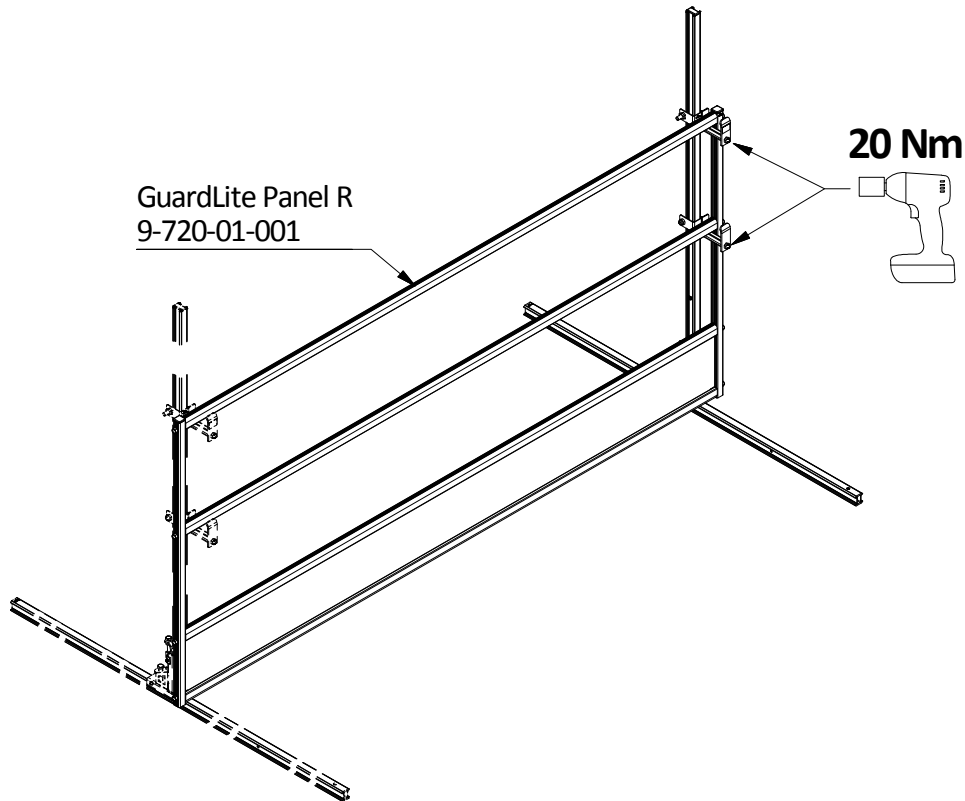
$\geq 15 \text{ m/s}$



1.



2.



3...

